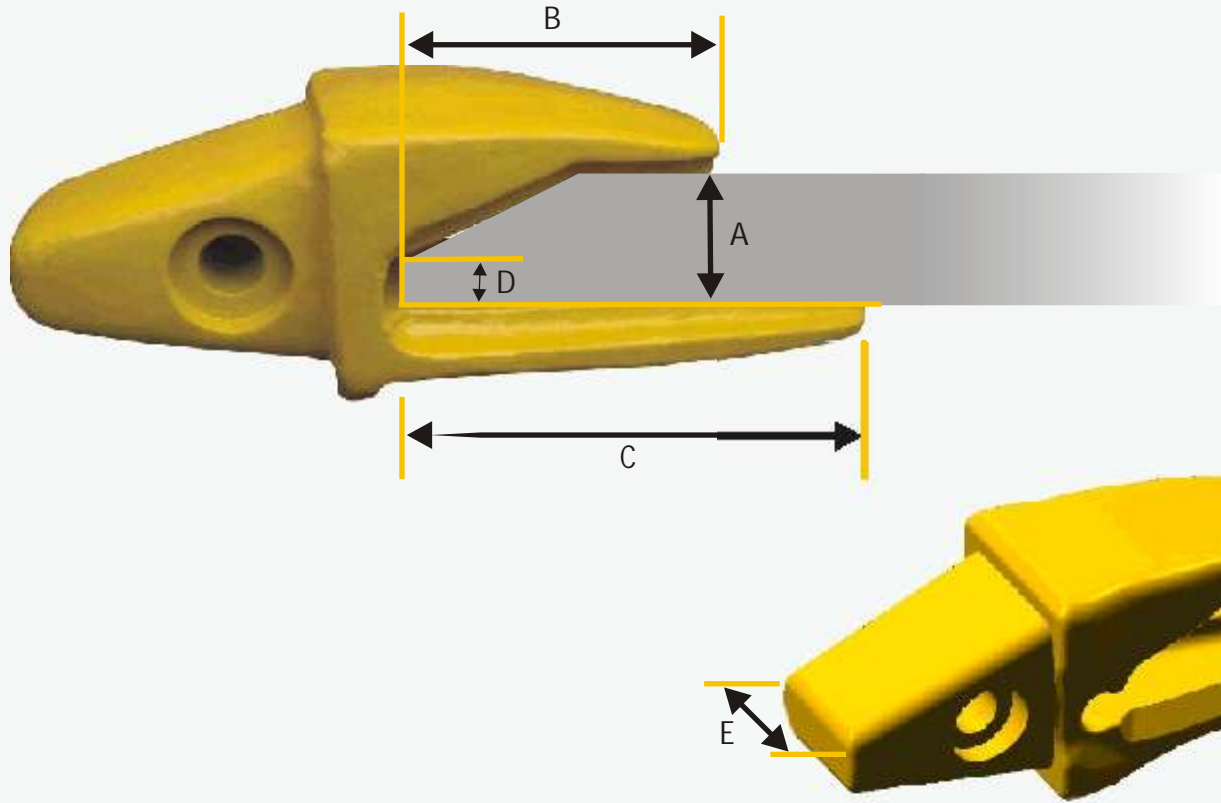


TECHNICAL DATA SHEET - ADAPTER



Label	Dimensions
A	27 mm
B	85 mm
C	113 mm
D	10 mm
E	34 mm

NOTES:

CAST STEEL BUCKET ADAPTER

IMPORTANT- PLEASE ENSURE YOU CHECK YOUR DIMENSIONS CAREFULLY BEFORE ORDERING TO ENSURE THE CORRECT PARTS ARE SUPPLIED.

