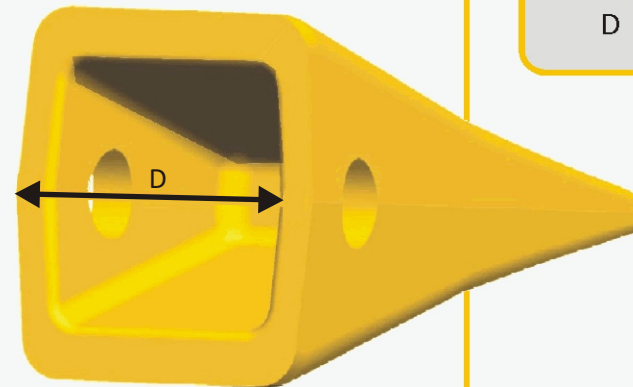
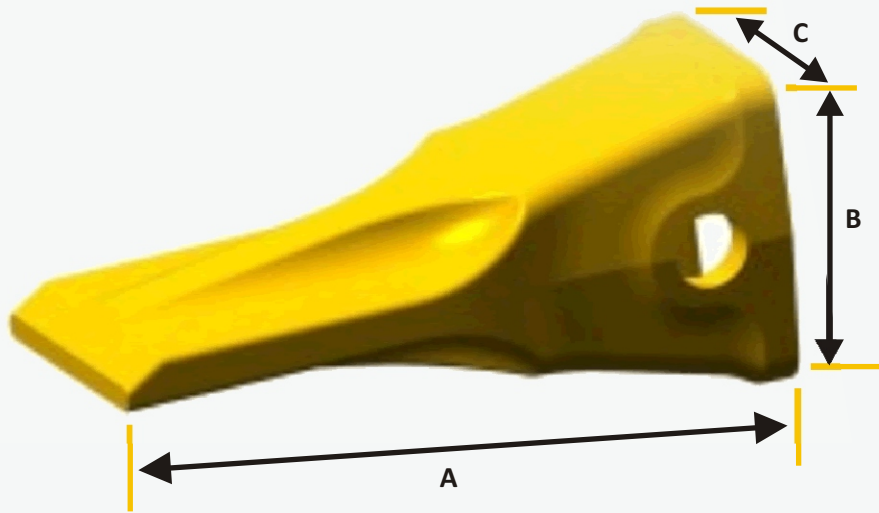


TECHNICAL DATA SHEET - SYMMETRICAL



| Label | Dimensions |
|-------|------------|
| A | 300 mm |
| B | 126 mm |
| C | 122 mm |
| D | 101.6 mm |

NOTES:

CAST STEEL BUCKET TOOTH
SYMMETRICAL SHAPE FOR INCREASED PENETRATION

IMPORTANT- PLEASE ENSURE YOU CHECK YOUR DIMENSIONS CAREFULLY
BEFORE ORDERING TO ENSURE THE CORRECT PARTS ARE SUPPLIED.

